

The versatility of the 901 Series Fire Alarm continues with a variety of box configurations. Surface mount and flush mount versions share a common back box. Flush door/trim units are available for single box or dual box configurations. The dual box configuration allows a pair of boxes to be connected without space between to simplify installation. Window and solid doors are interchangeable. Doors and trims are reversible to hinge left or right.



### Single Flush Mount Cabinet

The trim overhangs back box 1" on all sides. Trim mounts to hinge left or right. Window or solid door available.

Shown: A901-BOX-SINGLE-F-W



### Dual Flush Mount Cabinets

Each Door and Trim are separate. Each overhangs its box 1" on three sides allowing boxes to be mounted together. Solid and window doors interchangeable.

Shown: A901-BOX-DUAL-F-WS



### Surface Mount Cabinets

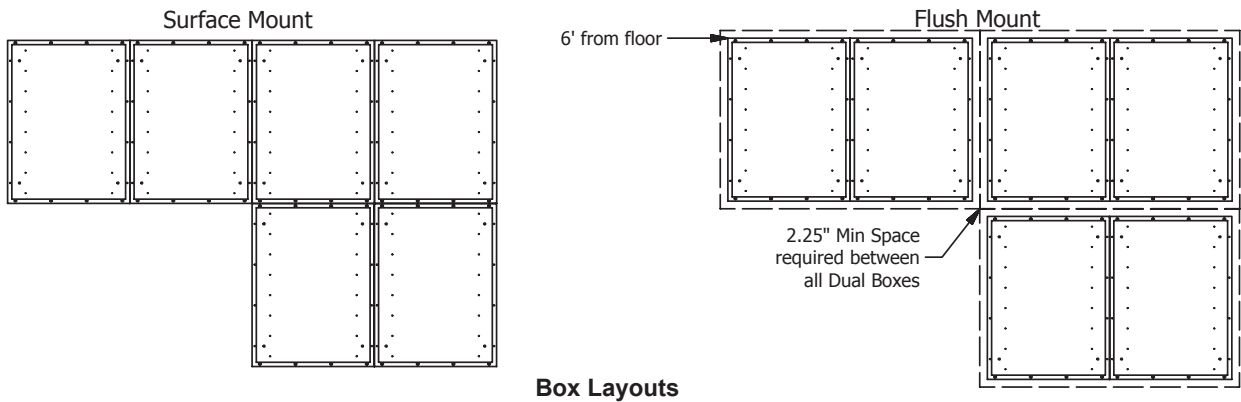
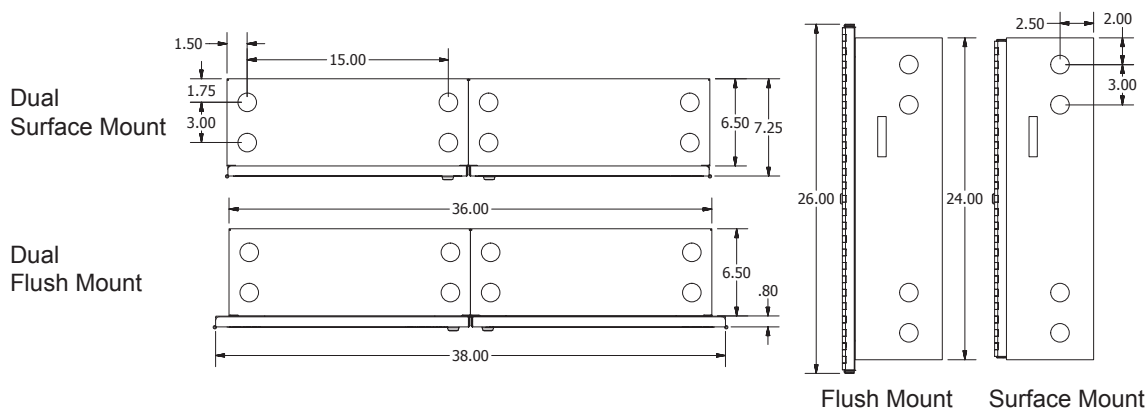
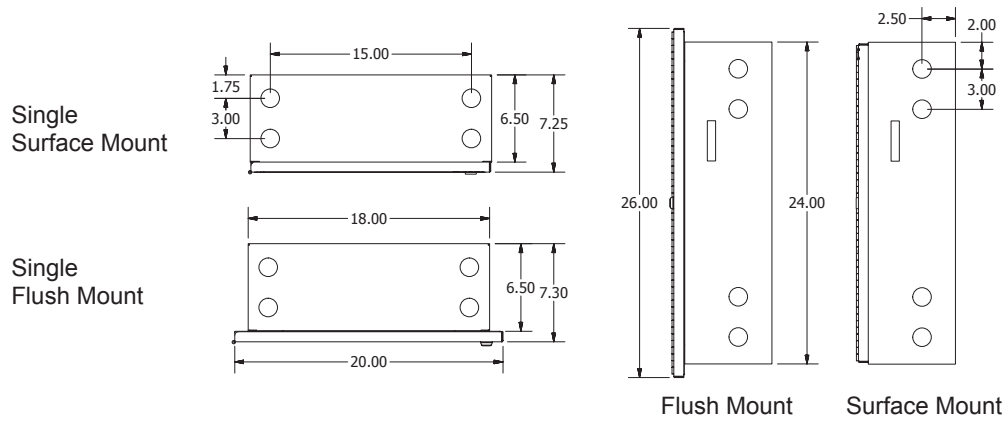
With no door overhang, boxes may be mounted together or separate. Window and solid doors are interchangeable and reversible to hinge either side.

Shown: A901-BOX-SINGLE-S-W and A901-BOX-SINGLE-S-S



UL Listed

# SPECIFICATIONS AND PART NUMBERS



## Ordering Information

**A901-BOX-<SINGLE/DUAL>-<Flush/Surface>-<Window/Solid Left Side>-<Window/Solid Right Side>**

Examples:

**A901-BOX-SINGLE-F-W** :Single Flush Mount Box with Window Door

**A901-BOX-DUAL-S-WS** :Dual Flush Mount Box with Window Door on left, Solid Door on right